

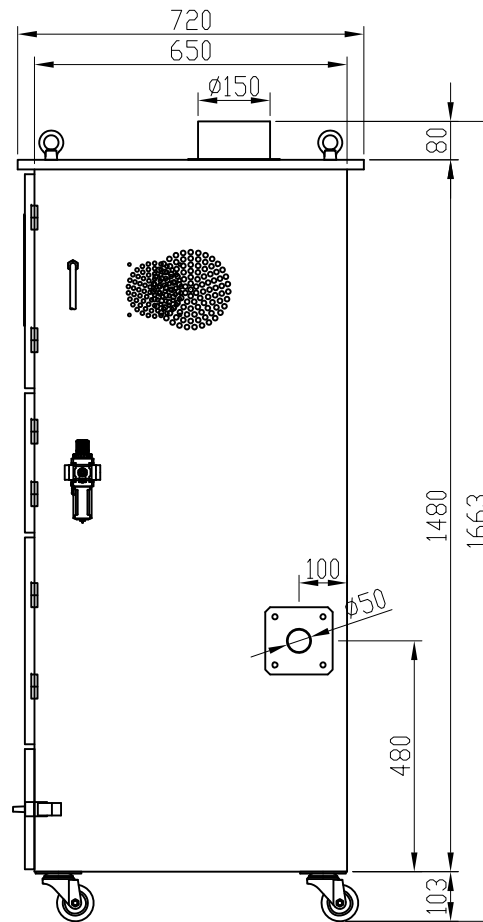
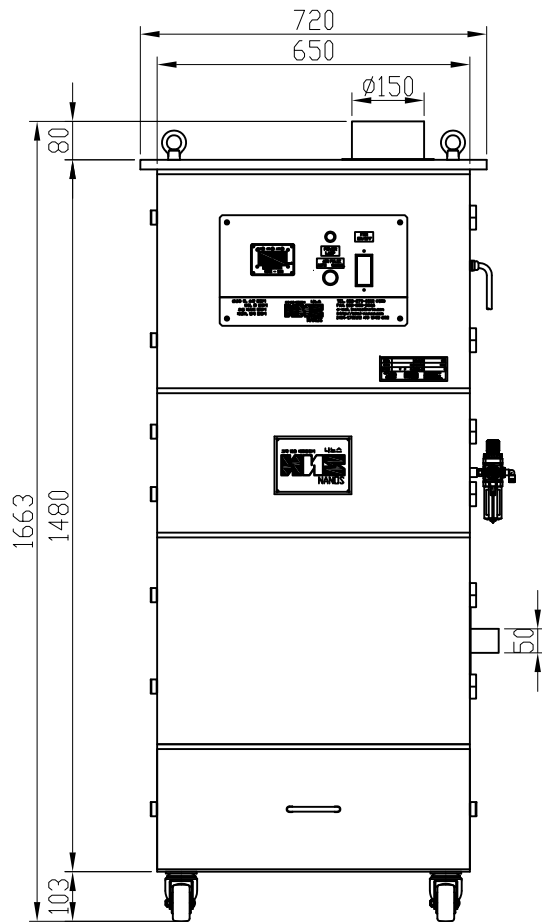
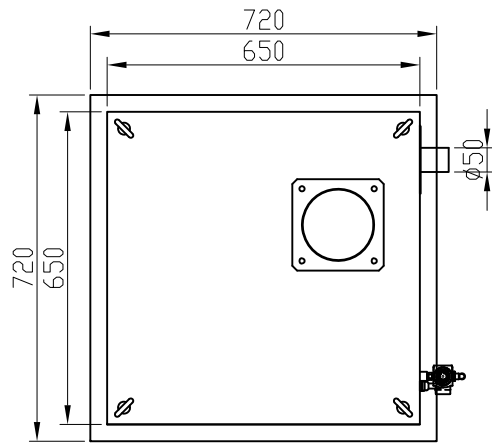
1	CABINET	1	650 x 650 x 1480 x 16t
2	RING BLOWER	1	1.75kw x 4CMM x 1700mmAq
3	SOLENOID VALVE	3	JISI-20
4	NOZZLE	3	PIPE 20A & 8A
5	AIR TANK	1	SQ PIPE 100
6	CARTRIDGE FILTER	1	Ø145 x 500L x 75tH
7	DUST BOX	1	53 LITER
8	OUTLET FLANGE	1	Ø150
9	LIFT LUG	4	I-NUT M12
10	SILENSOR	1	2'
11	MANDMETOR	1	DIGITAL 0 ~ 300 mmAq
12	CONTROL PANEL	1	CONTROL SWITCH
13	COOLING FAN	1	220v x 19w
14	POWER CABLE	1	V.C.T.F CABLE
15	REGULATOR	1	PP2 (8A)
16	INLET FLANGE	1	Ø50
17	CASTER	4	ROTATION 4' STOPPER

*** CHECK POINTS ***
A. ---

SPECIFICATION			
MODEL NAME	NAV-20	OPTION	-
FAN SPEC.			
FAN DIVISION	RING BLOWER (HRB-300)		
AIR VOLUME	4 CMM (MAX)	STATIC	1700mmAq (MAX)
MOTOR	1.75 kw	POWER	380V x 3P
FILTER SPEC.			
1ST	CARTRIDGE FILTER	MATERIAL	POLYESTER
	SIZE	Ø145 x 300L x 75tH x 6EA	AREA

*** PAINT COLOR ***
BODY : EX8816(S) 5Y 7/1
DOOR : EX8816-DIC546 1/2

 고객맞춤 대표 장비기 www.nanos.co.kr	SIZE	A3	CUSTOMER	-
	SCALE	1 / 1	TITLE	AIR PULSE VACUUM DUST COLLECTOR
	DRAWN	APPROVED	NANOS	DWG. NO.
	B.B.M	-	NAV-20	
12.10.01	-			



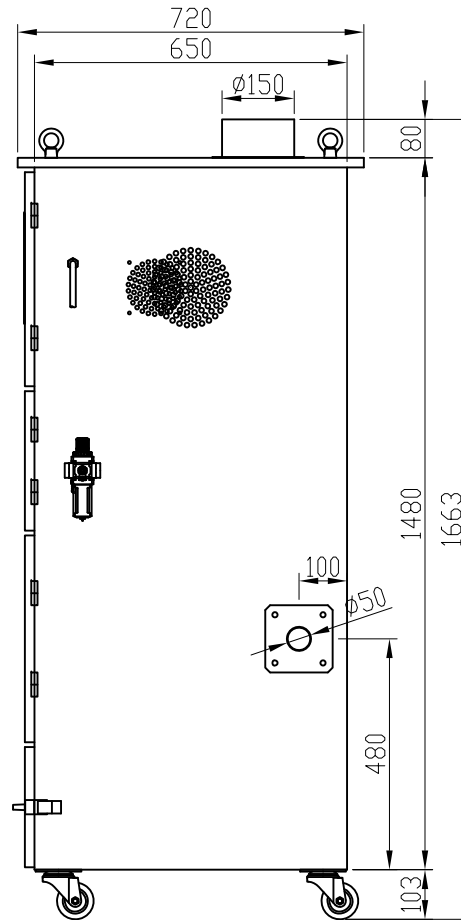
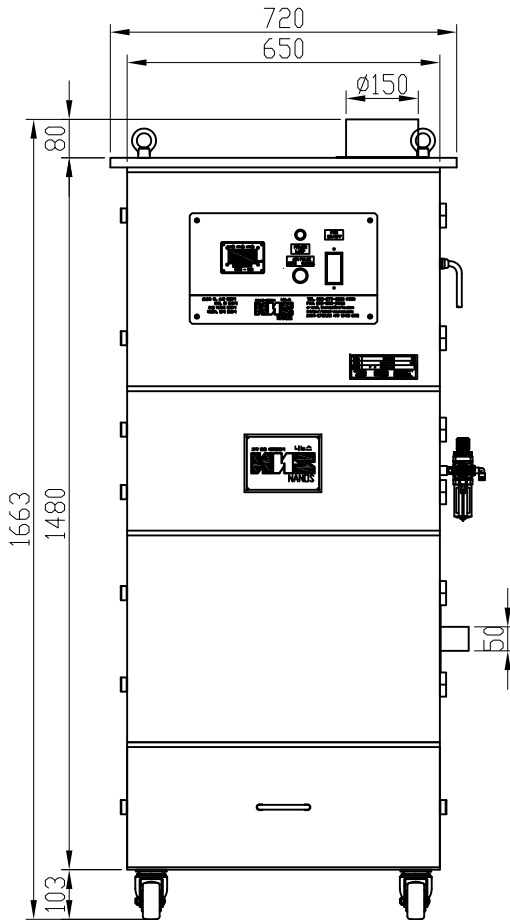
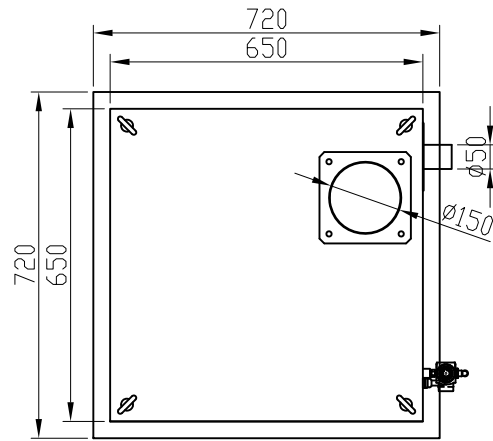
1	CABINET	1	650 x 650 x 1480 x 2.3t
2	RING BLOWER	1	2.55kw x 4CMM x 2200mmAq
3	SOLENOID VALVE	3	JISI-20
4	NOZZLE	3	PIPE 20A & 8A
5	AIR TANK	1	SQ PIPE 100
6	CARTRIDGE FILTER	1	Ø145 x 500L x 75tH
7	DUST BOX	1	53 LITER
8	OUTLET FLANGE	1	Ø150
9	LIFT LUG	4	I-NUT M12
10	SILENSOR	1	2'
11	MANOMETER	1	DIGITAL 0 ~ 300 mmAq
12	CONTROL PANEL	1	CONTROL SWITCH
13	COOLING FAN	1	220v x 19w
14	POWER CABLE	1	V.C.T.F CABLE
15	REGULATOR	1	PP2 (8A)
16	INLET FLANGE	1	Ø50
17	CASTER	4	ROTATION 4' STOPPER

*** CHECK POINTS ***
A. ---

SPECIFICATION			
MODEL NAME	NAV-30	OPTION	-
FAN SPEC.			
FAN DIVISION	RING BLOWER (HRB-400)		
AIR VOLUME	4 CMM (MAX)	VACUUM	2200mmAq (MAX)
MOTOR	2.55 kw	POWER	380V x 3P
FILTER SPEC.			
1ST	CARTRIDGE FILTER	MATERIAL	POLYESTER
	SIZE	Ø145 x 300L x 75tH x 6EA	AREA

*** PAINT COLOR ***
BODY : EX8816(S) 5Y 7/4
DOOR : EX8816-DIC546 1/2

 고객맞춤 대표 장비기 www.nanos.co.kr	SIZE	A3	CUSTOMER	-
	SCALE	1 / 1	TITLE	AIR PULSE VACUUM DUST COLLECTOR
	DRAWN	APPROVED	NANOS	DWG. NO.
	B.B.M	-	NAV-30	
	12.10.01	-		



1	CABINET	1	650 x 650 x 1480 x 2.3t
2	RING BLOWER	1	3.7kw x 6CMM x 2800mmAq
3	SOLENOID VALVE	3	JISI-20
4	NOZZLE	3	PIPE 20A & 8A
5	AIR TANK	1	SQ PIPE 100
6	CARTRIDGE FILTER	1	Ø145 x 500L x 75tH
7	DUST BOX	1	53 LITER
8	OUTLET FLANGE	1	Ø150
9	LIFT LUG	4	I-NUT M12
10	SILENSOR	1	2'
11	MANDMETER	1	DIGITAL 0 ~ 300 mmAq
12	CONTRDL PANEL	1	CONTROL SWITCH
13	COOLING FAN	1	220v x 19w
14	POWER CABLE	1	V.C.T.F CABLE
15	REGULATOR	1	PP2 (8A)
16	INLET FLANGE	1	Ø50
17	CASTER	4	ROTATION 4' STOPPER

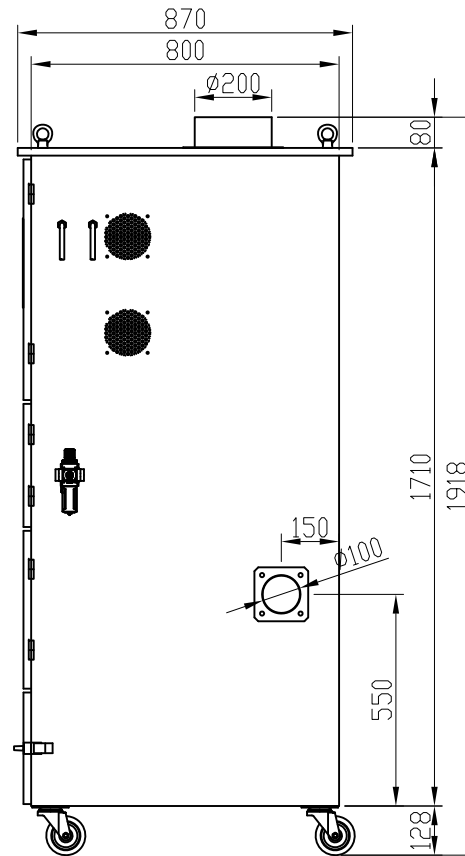
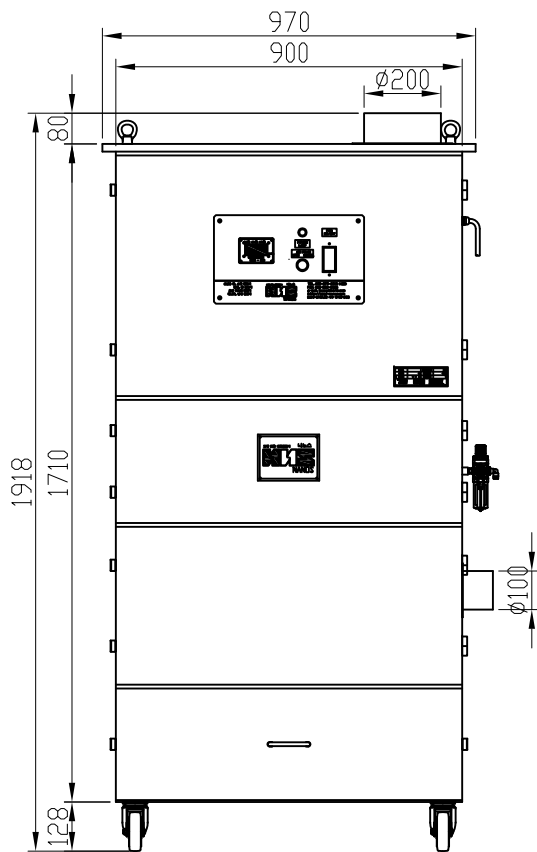
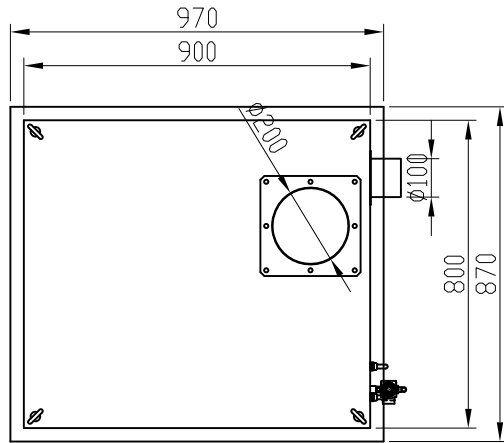
*** CHECK POINTS ***

A. ---

SPECIFICATION			
MODEL NAME	NAV-50	OPTION	-
FAN SPEC.			
FAN DIVISION	RING BLOWER (HRB-600)		
AIR VOLUME	6 CMM (MAX)	VACUUM	2800mmAq (MAX)
MOTOR	3.7 kw	POWER	380V x 3P
FILTER SPEC.			
1ST	CARTRIDGE FILTER	MATERIAL	POLYESTER
	SIZE	Ø145 x 300L x 75tH x 6EA	AREA

*** PAINT COLOR ***
 BODY : EX8816(S) 5Y 7/1
 DOOR : EX8816-DIC546 1/2

 고객맞춤 대표 장비기 www.nanos.co.kr	SIZE	A3	CUSTOMER	-
	SCALE	1 / 1	TITLE	AIR PULSE VACUUM DUST COLLECTOR
	DRAWN	APPROVED	NANOS DWG. NO.	NAV-50
	DATE	12.10.01		

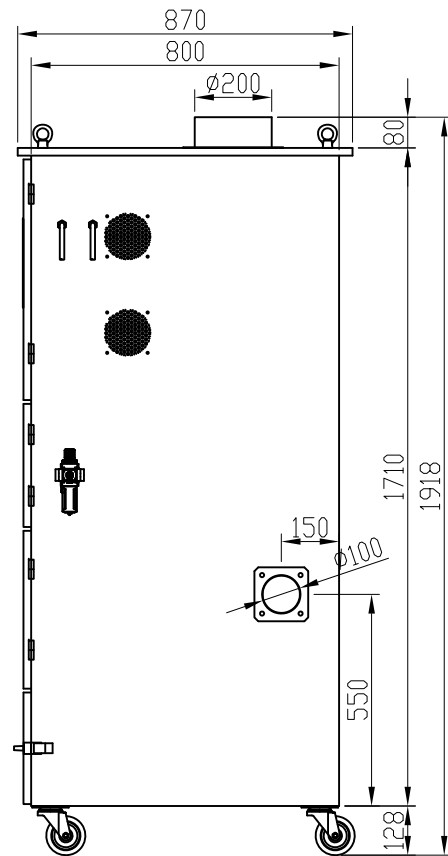
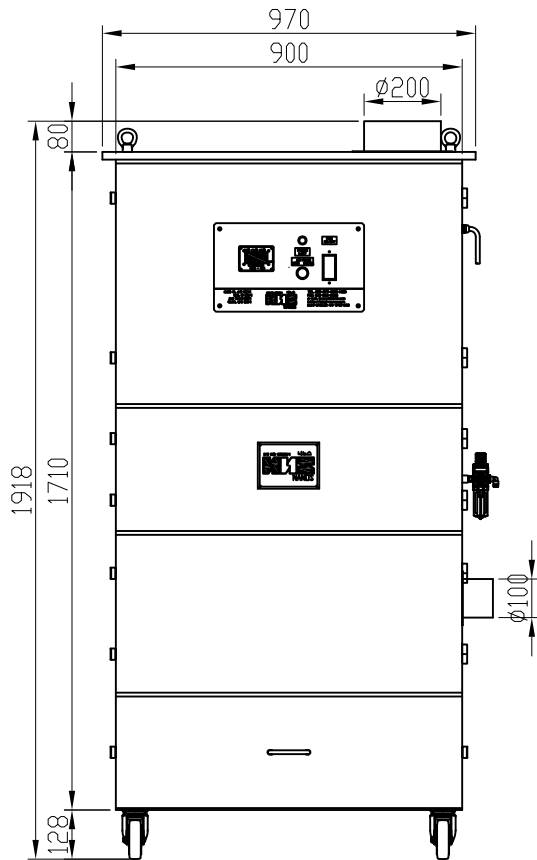
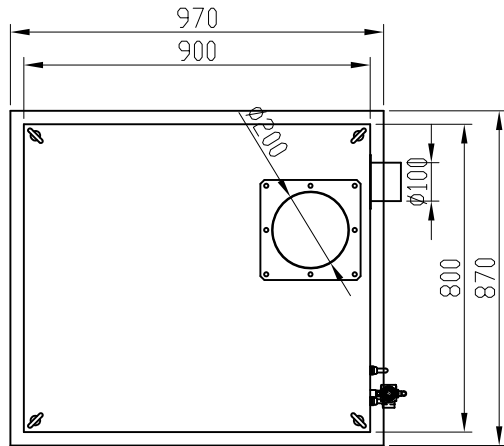


1	CABINET	1	900 x 800 x 1710 x 3,2t
2	RING BLOWER	1	6.3kw x 10CMM x 3100mmAq
3	SOLENOID VALVE	4	JISI-20
4	NOZZLE	4	PIPE 20A & 8A
5	AIR TANK	4	SQ PIPE 100
6	BAFFLE PLATE	2	PUNCHING PLATE 1.6t
7	CARTRIDGE FILTER	12	Ø145 x 300L x 75tH
8	OUTLET FLANGE	1	Ø200
9	LIFT LUG	4	I-NUT M12
10	MANOMETER	1	DIGITAL 0 ~ 300 mmAq
11	CONTROL PANEL	1	CONTROL SWITCH
12	POWER CABLE	1	V.C.T.F CABLE
13	COOLING FAN	1	220V x 19W
14	REGULATOR	1	PP2 (8A)
15	INLET FLANGE	1	Ø100
16	DUST BOX	1	110 LITER
17	CASTER	4	ROTATION 4' STOPPER

SPECIFICATION			
MODEL NAME	NAV-75	OPTION	
FAN SPEC.			
FAN DIVISION	RING BLOWER (HRB-800)		
AIR VOLUME	10 CMM	STATIC	3100 mmAq
MOTOR	6.3 kw	POWER	380V x 3P
FILTER SPEC.			
1ST	CARTRIDGE FILTER	MATERIAL	POLYESTER
	SIZE	Ø145 x 300L x 75tH x 12EA	AREA

*** PAINT COLOR ***
 BODY : EX8816(S) 5Y 7/1
 DOOR : EX8816-DIC546 1/2

 고객맞춤 대표 장비기 www1-nanos.co.kr	SIZE	A3	CUSTOMER	-
	SCALE	1 / 1	TITLE	AIR PULSE HIGH PRESSURE VACUUM COLLECTOR
	DRAWN	APPROVED	NANOS DWG. NO.	NAV-75
	B.BM	-		
	12.11.02	-		



1	CABINET	1	900 x 800 x 1710 x 3,2t
2	RING BLOWER	1	8.6kw x 10CMM x 3500mmAq
3	SOLENOID VALVE	4	JISI-20
4	NOZZLE	4	PIPE 20A & 8A
5	AIR TANK	4	SQ PIPE 100
6	BAFFLE PLATE	2	PUNCHING PLATE 1.6t
7	CARTRIDGE FILTER	12	Ø145 x 300L x 75tH
8	OUTLET FLANGE	1	Ø2000
9	LIFT LUG	4	I-NUT M12
10	MANOMETER	1	DIGITAL 0 ~ 300 mmAq
11	CONTROL PANEL	1	CONTROL SWITCH
12	POWER CABLE	1	V.C.T.F CABLE
13	COOLING FAN	1	220V x 19W
14	REGULATOR	1	PP2 (8A)
15	INLET FLANGE	1	Ø100
16	DUST BOX	1	110 LITER
17	CASTER	4	ROTATION 4' STOPPER

SPECIFICATION			
MODEL NAME	NAV-100	OPTION	
FAN SPEC.			
FAN DIVISION	RING BLOWER (HRB-900)		
AIR VOLUME	10 CMM	STATIC	3500 mmAq
MOTOR	8.6 kw	POWER	380V x 3P
FILTER SPEC.			
1ST	CARTRIDGE FILTER	MATERIAL	POLYESTER
	SIZE	Ø145 x 300L x 75tH x 12EA	AREA

*** PAINT COLOR ***
 BODY : EX8816(S) 5Y 7/1
 DOOR : EX8816-DIC546 1/2

 고객맞춤 대표 장비기 www-nanos.co.kr	SIZE	A3	CUSTOMER	-
	SCALE	1 / 1	TITLE	AIR PULSE HIGH PRESSURE VACUUM COLLECTOR
	DRAWN	APPROVED	NANOS DWG. NO.	NAV-100
	B.B.H	-		
	12.11.02	-		